



BROCHURE



# ELECTRONIC LOCK





# THE NEW MODERN LIFESTYLE

We have entered the digital era as a part of modern life. The use of IoT (Internet of Things) and AI (Artificial Intelligence) technologies applied to smart locks makes more safer, more controlled, and comfortable. Dekkson, as one of the leading architectural hardware brands in Indonesia, offers electronic locks with smart technology, modern design, and the best quality. There are two types of smart locks from Dekkson, electronic locks and hotel card locks.

The card lock is integrated with the hospitality system. Electronic locks can be easily installed and are suitable for homes and apartments. So, don't make the wrong choice; electronic locks from Dekkson are the best solution! Welcome to the future!

# Table of Contents :

D92	<b>03</b>	EL 9318 MF PASS BT R07	<b>19</b>
ELP 9519 MF FIN PASS 3D	<b>05</b>	EL 9318 MF PASS BT R37	<b>20</b>
ELP 9419 MF FIN PASS DV	<b>07</b>	ET-D12	<b>21</b>
EL T32	<b>09</b>	EL 9318 MF PASS BT W03	<b>22</b>
EL T33	<b>10</b>	EL-D01	<b>23</b>
EL D31	<b>11</b>	SMART GLASS DOOR LOCK G-01	<b>25</b>
EL 9318 MF PASS BT W37	<b>12</b>	EL 9318 MF PASS BT RF09	<b>27</b>
DT23 LCC	<b>13</b>	CLH 2002 MF	<b>29</b>
DT23	<b>14</b>	CLH 2001 MF	<b>30</b>
EL D21	<b>15</b>	CLH 2202 MF	<b>31</b>
EL D22	<b>16</b>	CLH 2201 MF	<b>32</b>
EL 9318 MF PASS BT A27	<b>17</b>	OTHER ACCESSORIES	<b>33</b>
ED-T11	<b>18</b>	PROJECT REFERENCE	<b>34</b>

**DEKSON** reserves the rights to change the design & technical specifications of the products or to make additions or improvements without any notification. If you must form a complete sets for engineering. Please contact the local distributor or our company to inquire about the accurate sizes, or measure according to the sizes of the object itself.

# ELECTRONIC LOCK

## ELP D92

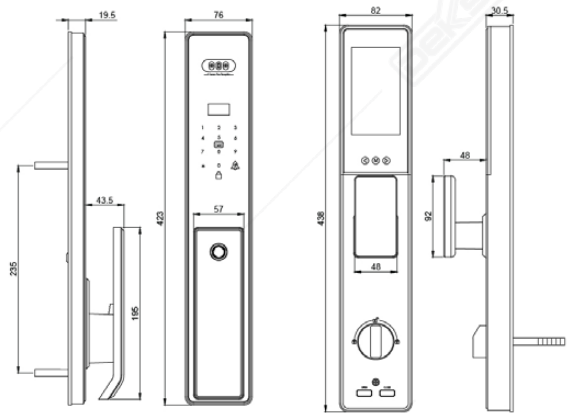
**3** YEAR MECHANICAL WARRANTY



### ACCESS

- PALM VEIN RECOGNITION
- 3D FACE RECOGNITION
- FINGERPRINT
- 1 2 3  
X X X  
PASSWORD
- MIFARE
- MECHANICAL KEY
- MOBILE APP  
DEON SMART LIVING (TUYA)  
Available on:

### SPECIFICATIONS

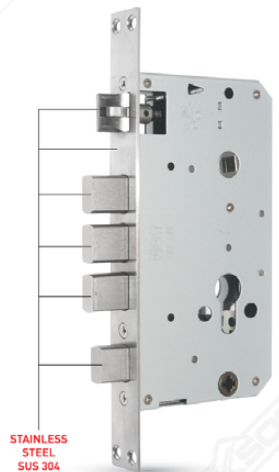
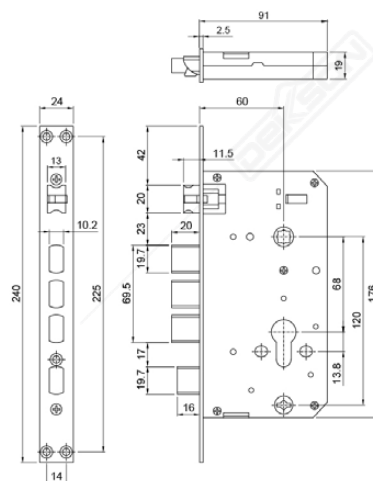


FRONT

BACK

### FEATURES

- Lithium Battery (Rechargeable)
- Low Power Warning (USB Type C backup power)
- Digital Door View
- Intercom
- Unlock History
- Doorbell
- Auto & Manual Locking System
- Anti Peeping Code
- Real Time Notification Records (Tuya)
- Long Range Mobile Phone Lock System (tuya)
- 1 year ELECTRICAL WARRANTY



STAINLESS STEEL SUS 304





# ELECTRONIC LOCK

## ELP 9519 MF FIN PASS 3D



**3** YEAR  
MECHANICAL  
WARRANTY



### ACCESS



3D FACE RECOGNITION



FINGERPRINT



PASSWORD



MIFARE

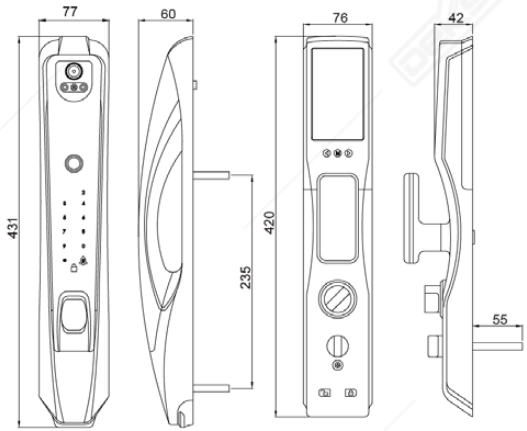


MECHANICAL KEY



MOBILE APP  
DEON SMART  
LIVING (TU YA)  
Available on

### SPECIFICATIONS



FRONT

BACK

### FEATURES



Lithium Battery  
(Rechargeable)



Low Power Warning  
(USB Type C  
backup power)



Digital Door  
View



Intercom



Unlock  
History



Doorbell



Auto & Manual  
Locking System



Anti Peeping  
Code



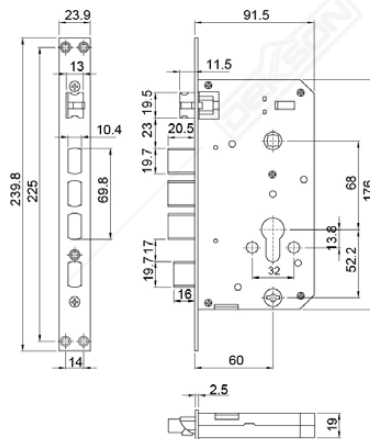
Real Time  
Notification  
Records (Tu ya)



Long Range  
Mobile Phone  
Lock System (tu ya)



1 year  
ELECTRICAL  
WARRANTY



STAINLESS  
STEEL  
SUS 304





# ELECTRONIC LOCK

## ELP 9419 MF FIN PASS DV



**3** YEAR  
MECHANICAL  
WARRANTY



### ACCESS



FINGERPRINT



PASSWORD



MIFARE



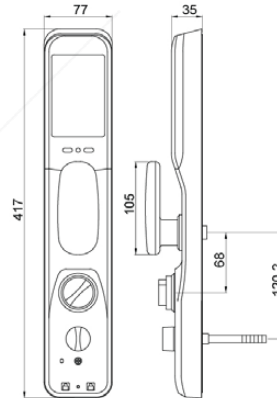
MECHANICAL KEY



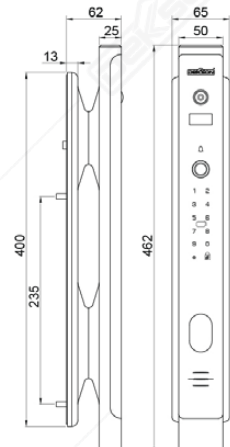
MOBILE APP  
DEON SMART  
LIVING (TUYA)



### SPECIFICATIONS



BACK



FRONT

### FEATURES



Lithium Battery  
(Rechargeable)



Low Power Warning  
(USB Type C  
backup power)



Digital Door View



Anti Peeping Code



Unlock History



Doorbell



Auto & Manual Locking System



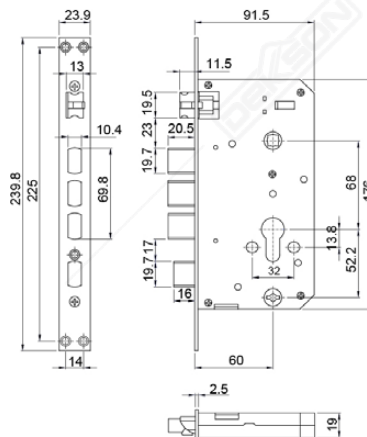
Real Time Notification Records (Tuya)



Long Range Mobile Phone Lock System (tuya)

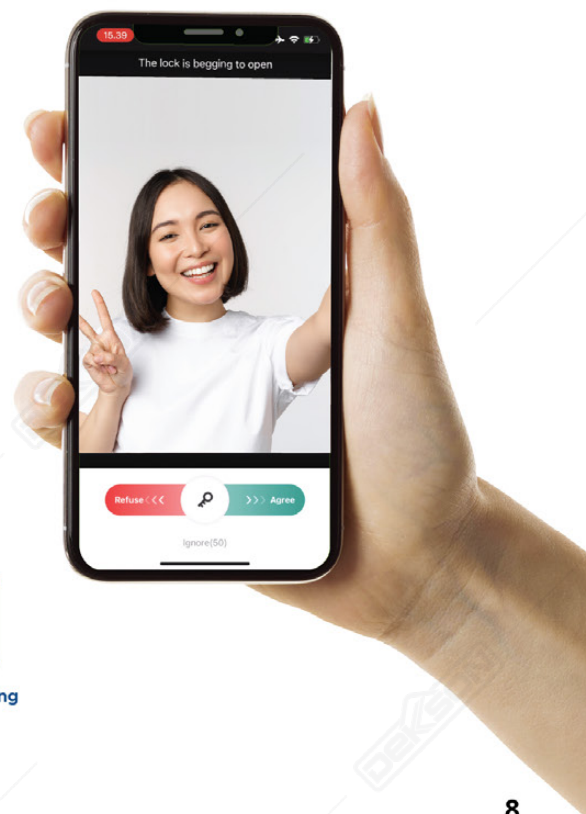


1 year ELECTRICAL WARRANTY



STAINLESS STEEL SUS 304

Electronic Lock



Deon Smart Living



# ELECTRONIC LOCK

## T32



### ACCESS



FINGERPRINT



PASSWORD



MIFARE

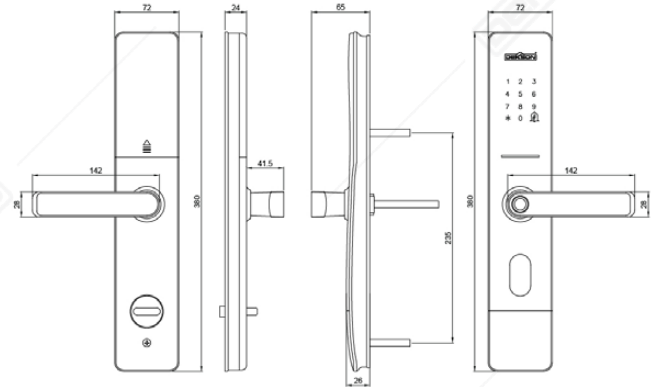


MECHANICAL KEY



MOBILE APP  
TTLOCK  
Available on:

### SPECIFICATIONS



BACK

FRONT

### FEATURES



Battery Power  
AA Alkaline  
4 pcs



Low Power  
Warning  
(USB Type C  
backup power)



Turn up Handle  
for Lock



Anti Peeping  
Code



Unlock  
History



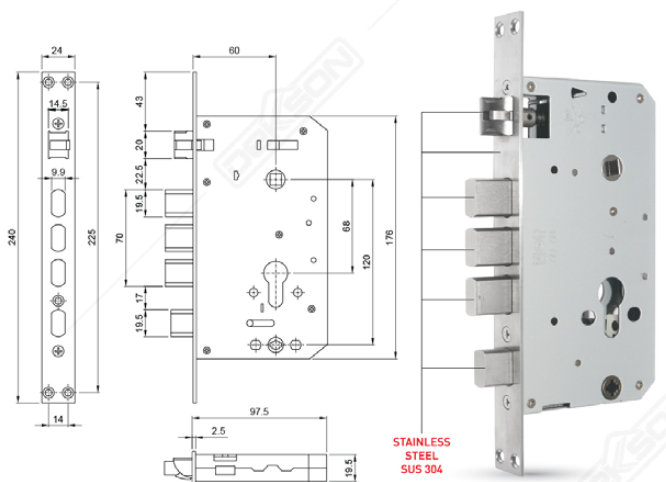
Doorbell



Access  
Sharing



1 year  
ELECTRICAL  
WARRANTY



STAINLESS  
STEEL  
SUS 304

Electronic Lock



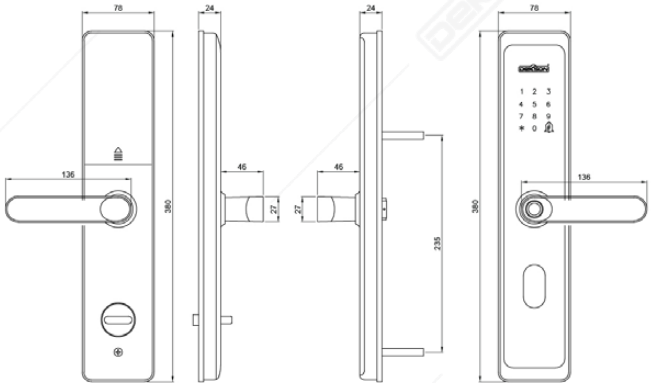
# ELECTRONIC LOCK

## T33



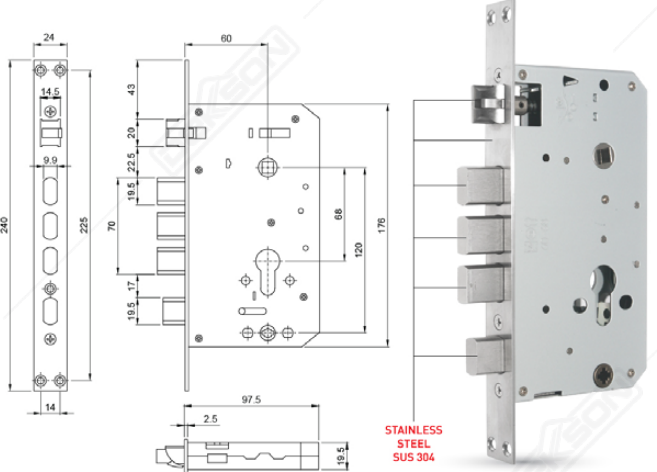
### ACCESS      SPECIFICATIONS

- FINGERPRINT
- PASSWORD
- MIFARE
- MECHANICAL KEY
- MOBILE APP TTLOCK  
Available on



### FEATURES

- Battery Power AA Alkaline 4 pcs
- Low Power Warning (USB Type C backup power)
- Turn up Handle for Lock
- Anti Peeping Code
- Unlock History
- Doorbell
- Access Sharing
- 1 year ELECTRICAL WARRANTY





# ELECTRONIC LOCK

## EL D31



**3** YEAR MECHANICAL WARRANTY



### ACCESS



FINGERPRINT



PASSWORD



MIFARE

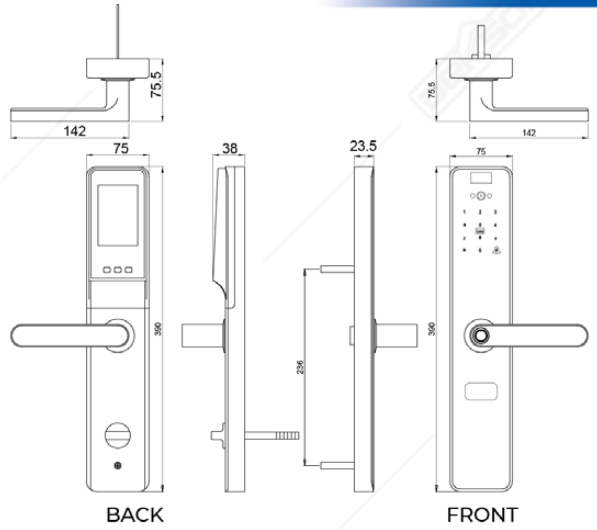


MECHANICAL KEY



MOBILE APP  
DEON SMART LIVING (TUYA)  
Available on:

### SPECIFICATIONS



### FEATURES



Battery Power  
AA Alkaline  
8 pcs



Low Power Warning  
(USB Type C backup power)



Digital Door View



Anti Peeping Code



Unlock History



Doorbell



Turn up Handle for Lock



Real Time Notification Records (Tuya)



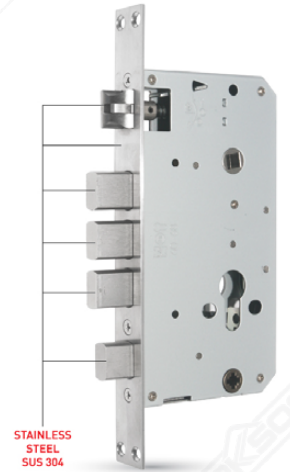
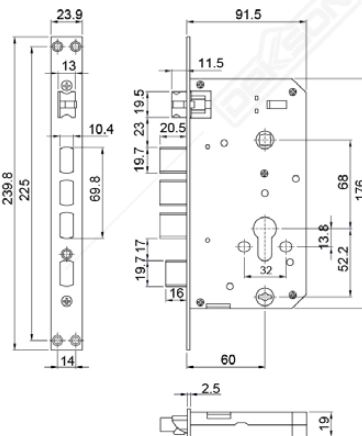
Access Sharing



Long Range Mobile Phone Lock System (tuya)



1 year ELECTRICAL WARRANTY



Electronic Lock



# ELECTRONIC LOCK

## ELC 9318 MF PASS BT W37



### ACCESS



FINGERPRINT



PASSWORD



MIFARE

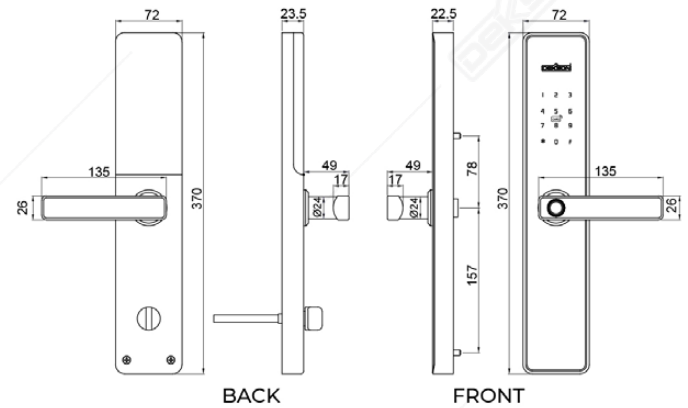


MECHANICAL KEY



MOBILE APP  
DEON SMART  
LIVING (TUYA)  
Available on

### SPECIFICATIONS



### FEATURES



Battery Power  
AA Alkaline  
4 pcs



Low Power  
Warning  
(USB Type C  
backup power)



Turn up Handle  
for Lock



Anti Peeping  
Code



Unlock  
History



Real Time  
Notification  
Records (Tuya)



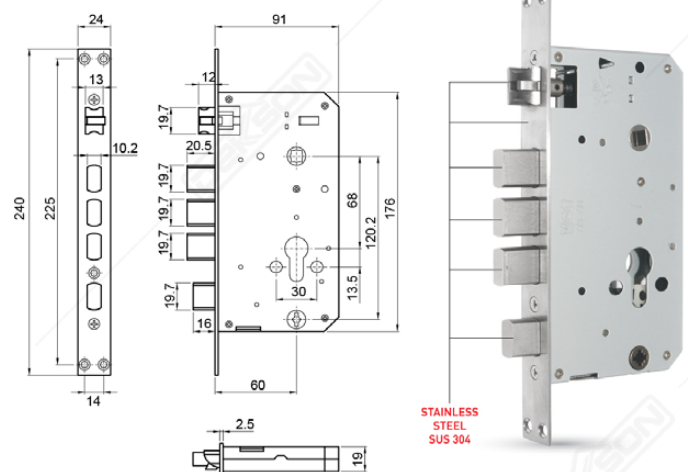
Access  
Sharing



Long Range  
Mobile Phone  
Lock System (tuya)



1 year  
ELECTRICAL  
WARRANTY





# ELECTRONIC LOCK

## DT23 LCC

(LIVE CAMERA COMMUNICATION)



**3 YEAR**  
MECHANICAL  
WARRANTY



### ACCESS



FINGERPRINT



PASSWORD



MIFARE



MECHANICAL KEY

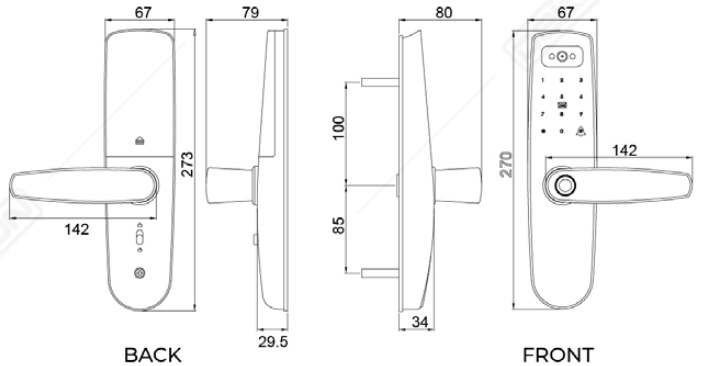


MOBILE APP  
DEON SMART  
LIVING (TU YA)

Available on:



### SPECIFICATIONS



### FEATURES



Lithium Battery  
(Rechargeable)



Low Power Warning  
(USB TYPE C  
backup power)



Live Camera  
Communication



Turn up handle  
for lock



Doorbell



Unlock  
History



Real Time  
Notification  
Records



Access Sharing



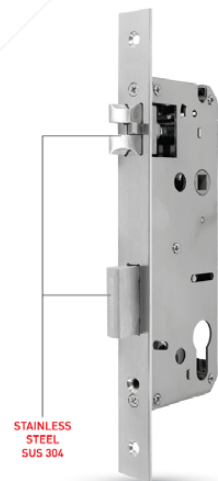
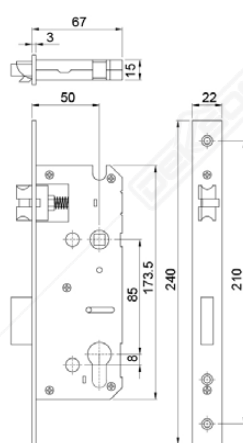
Long Range  
Mobile Phone  
Lock System (tu ya)



Anti Peeping  
Code



1 year  
ELECTRICAL  
WARRANTY



STAINLESS  
STEEL  
SUS 304



# ELECTRONIC LOCK

## DT23



AVAILABLE :



### ACCESS



FINGERPRINT



PASSWORD



MIFARE

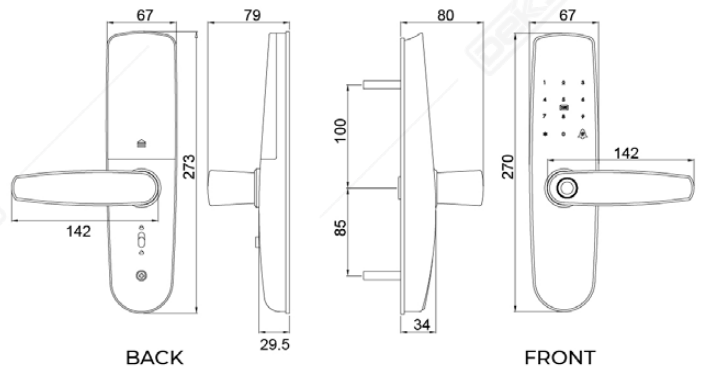


MECHANICAL KEY



MOBILE APP  
DEON (TUYA) /  
TTLOCK  
Available on:

### SPECIFICATIONS



### FEATURES



Battery Power  
AA Alkaline  
4 pcs



Low Power Warning  
(USB TYPE C  
backup power)



Anti Peeping  
Code



Turn up handle  
for lock



Doorbell



Unlock  
History



Real Time  
Notification  
Records (Tuya)



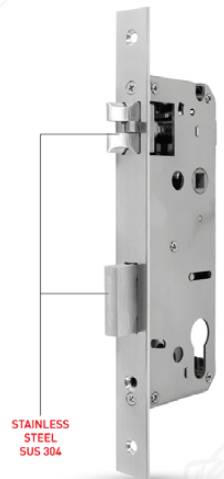
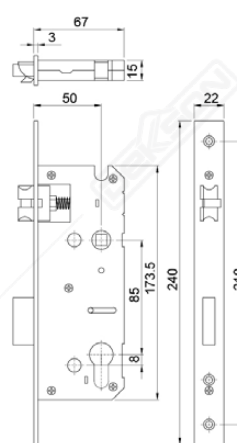
Access Sharing



Long Range  
Mobile Phone  
Lock System (tuya)



1 year  
ELECTRICAL  
WARRANTY



STAINLESS  
STEEL  
SUS 304



# ELECTRONIC LOCK

## EL D-21



### ACCESS



FINGERPRINT



PASSWORD



MIFARE

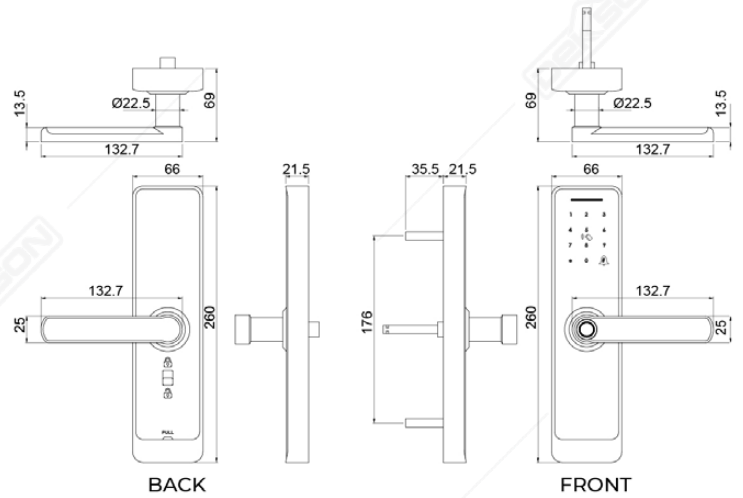


MECHANICAL KEY



MOBILE APP  
DEON SMART LIVING (TUYA)  
Available on

### SPECIFICATIONS



BACK

FRONT

### FEATURES



Battery Power  
AA Alkaline  
4 pcs



Low Power Warning  
(USB TYPE C  
backup power)



Anti Peeping  
Code



Doorbell



Unlock  
History



Real Time  
Notification  
Records



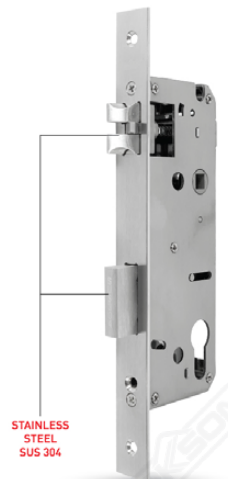
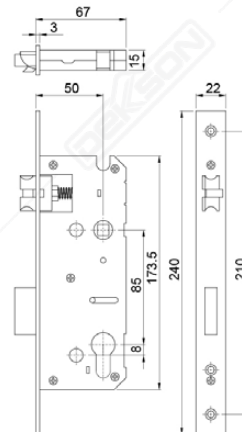
Access Sharing



Long Range  
Mobile Phone  
Lock System (tuya)



1 year  
ELECTRICAL  
WARRANTY



STAINLESS  
STEEL  
SUS 304

Electronic Lock



# ELECTRONIC LOCK

## EL-D22



Available Color : Silver, Black



### ACCESS



FINGERPRINT



PASSWORD



MIFARE



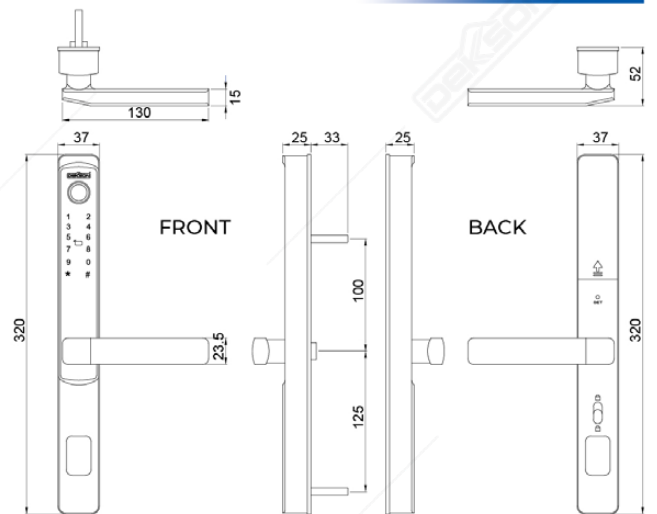
MECHANICAL KEY



MOBILE APP  
DEON SMART LIVING (TUYA)



### SPECIFICATIONS



### FEATURES



Battery Power  
AA Alkaline  
4 pcs



Low Power Warning  
(USB TYPE C  
backup power)



Anti Peeping  
Code



Unlock  
History



Real Time  
Notification  
Records (Tuya)



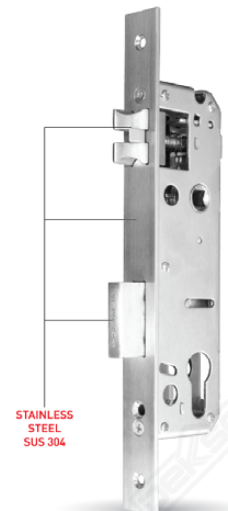
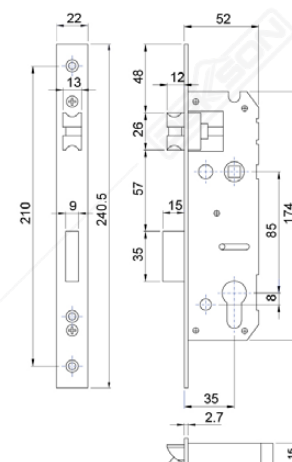
Access Sharing



Long Range  
Mobile Phone  
Lock System (tuya)



1 year  
ELECTRICAL  
WARRANTY



STAINLESS  
STEEL  
SUS 304



# ELECTRONIC LOCK

## ELC 9318 MF PASS BT A27



Available color : Chrome Silver, Chrome Black  
Material : Stainless Steel SUS 304



### ACCESS



FINGERPRINT



PASSWORD



MIFARE

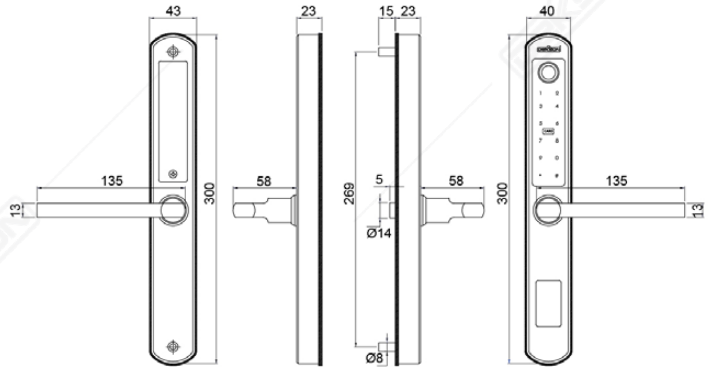


MECHANICAL KEY



MOBILE APP  
TTLOCK  
Available on  
App Store and Google Play

### SPECIFICATIONS



BACK

FRONT

### FEATURES



Battery Power  
AAA Alkaline  
4 pcs



Low Power Warning  
(USB TYPE C  
backup power)



Anti Peeping  
Code



Doorbell



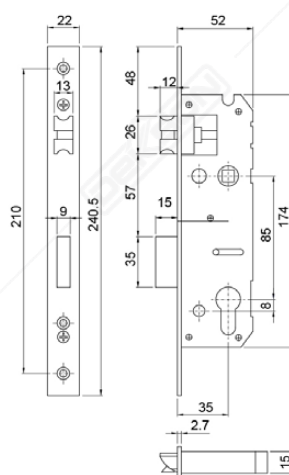
Unlock  
History



Access Sharing



1 year  
ELECTRICAL  
WARRANTY



STAINLESS  
STEEL  
SUS 304





# ELECTRONIC LOCK

## ED T-11



### ACCESS



FINGERPRINT



PASSWORD



MIFARE



MECHANICAL KEY



MOBILE APP  
TTLOCK  
Available on  
Android & iOS

### SPECIFICATIONS

### FEATURES



Battery Power  
AA Alkaline  
4 pcs



Low Power Warning  
(USB TYPE C  
backup power)



Anti Peeping  
Code



Unlock  
History



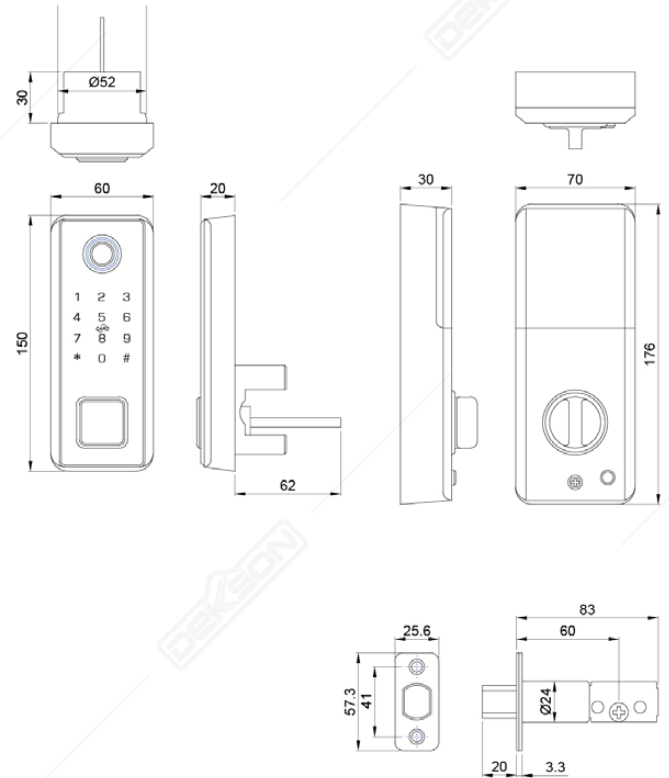
Auto & Manual  
Locking System



Access Sharing



1 year  
ELECTRICAL  
WARRANTY





# ELECTRONIC LOCK

## ELC 9318 MF PASS BT R07



Stainless Steel SUS 304



### ACCESS



FINGERPRINT



PASSWORD



MIFARE

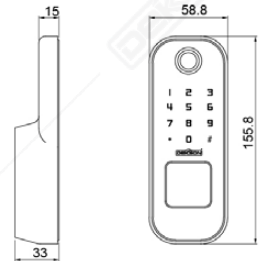


MECHANICAL KEY

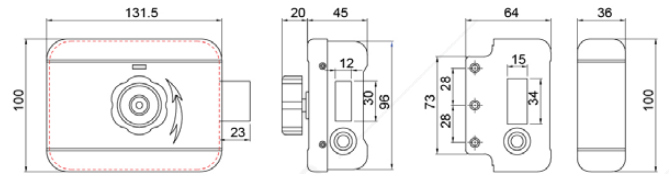


MOBILE APP  
TTLOCK  
Available on:

### SPECIFICATIONS



FRONT



BACK

### FEATURES



Battery Power  
AA Alkaline  
4 pcs



Low Power Warning  
(Micro USB  
backup power)



Anti Peeping  
Code



Unlock  
History



Access Sharing



1 year  
ELECTRICAL  
WARRANTY



# ELECTRONIC LOCK

## ELC 9318 MF PASS BT R37



Available color : Silver, Black



### ACCESS



FINGERPRINT



PASSWORD



MIFARE

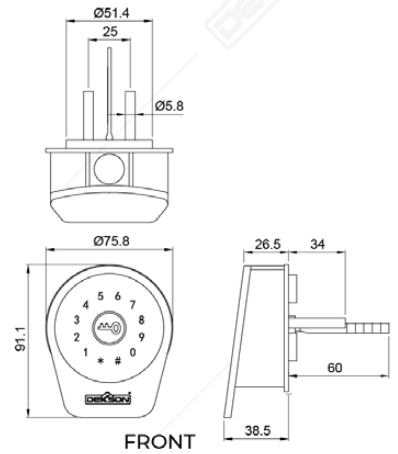


MECHANICAL KEY



MOBILE APP  
TTLOCK  
Available on  
Android & iOS

### SPECIFICATIONS



FRONT

### FEATURES



Battery Power  
AA Alkaline  
4 pcs



Low Power Warning  
(Micro USB  
backup power)



Anti Peeping  
Code



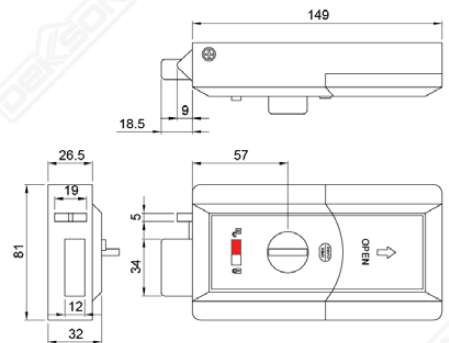
Unlock  
History



Access Sharing



1 year  
ELECTRICAL  
WARRANTY



BACK

# ELECTRONIC LOCK

## EL D-12



Available Color : Silver, Black



### ACCESS



FINGERPRINT

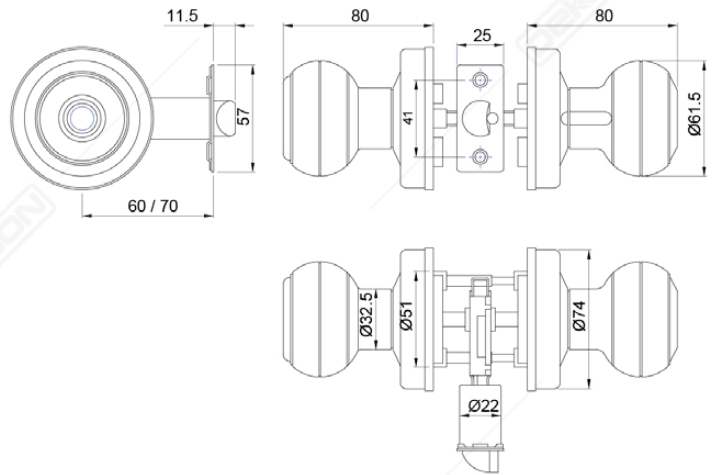


MECHANICAL KEY



MOBILE APP  
DEON SMART LIVING (TUYA)  
Available on:

### SPECIFICATIONS



### FEATURES



Battery Power  
AAA Alkaline  
4 pcs



Low Power Warning  
(USB Type C backup power)



Unlock History



1 year  
ELECTRICAL WARRANTY





# ELECTRONIC LOCK

## ELC 9318 MF PASS BT W03



### ACCESS



FINGERPRINT



PASSWORD



MECHANICAL KEY



MOBILE APP  
TTLOCK  
Available on:

### FEATURES



Battery Power  
AAA Alkaline  
4 pcs



Low Power Warning  
(USB Type C  
backup power)



Turn up  
handle for  
lock



Unlock  
History



Anti Peeping  
Code

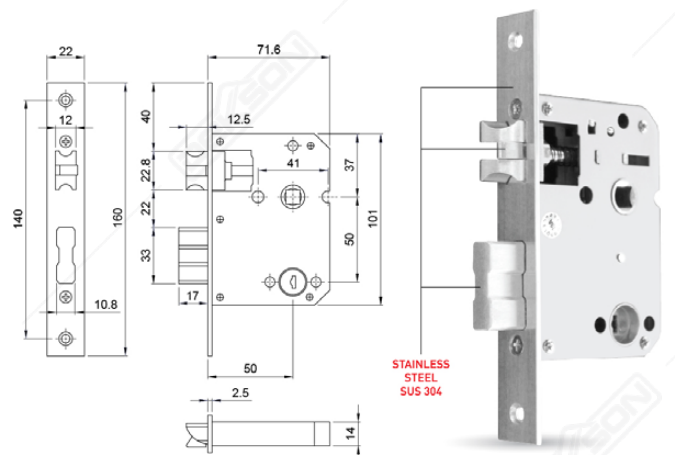
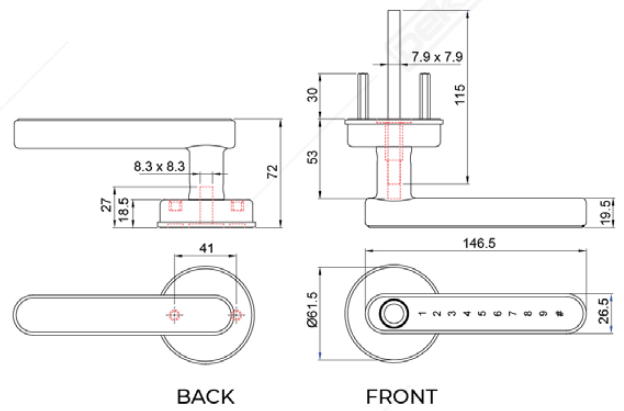


Access Sharing



1 year  
ELECTRICAL  
WARRANTY

### SPECIFICATIONS





# ELECTRONIC LOCK

## EC-D01



Available : 70mm & 80mm  
Available Color : Black & Silver



### ACCESS



FINGERPRINT



MIFARE



MECHANICAL KEY



MOBILE APP  
DEON SMART LIVING (TUVA)  
Available on:

### FEATURES



Battery Power  
cr123a



Low Power  
Warning (USB Type C  
backup power)



Turn Up Knob  
For Lock



Unlock  
History

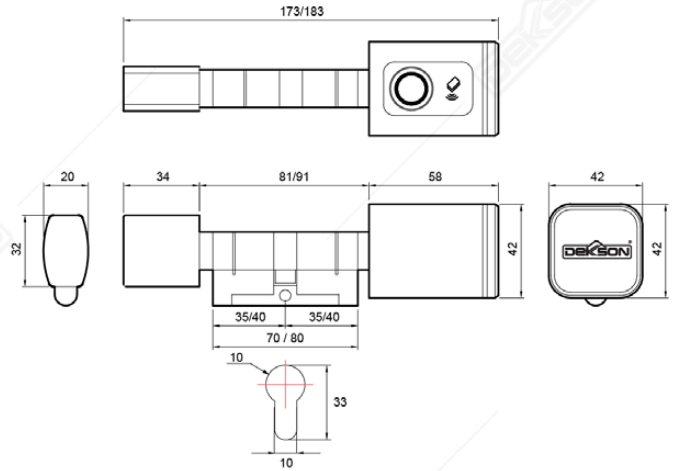


Access Sharing

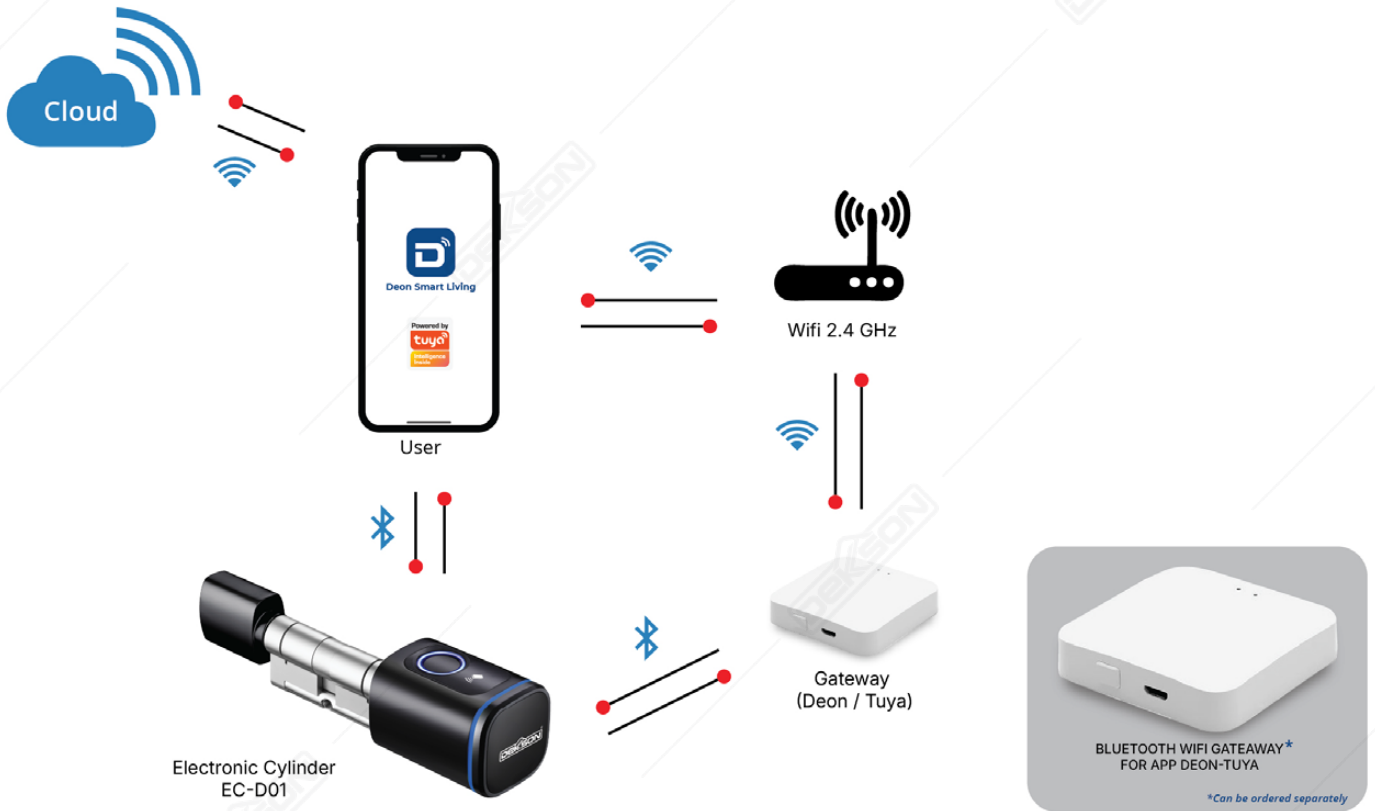


1 year  
ELECTRICAL  
WARRANTY

### SPECIFICATIONS



**ACCESS CONTROL EC-D01**



# SMART GLASS DOOR LOCK

## G01



### ACCESS



FINGERPRINT



PASSWORD



MIFARE



MECHANICAL KEY

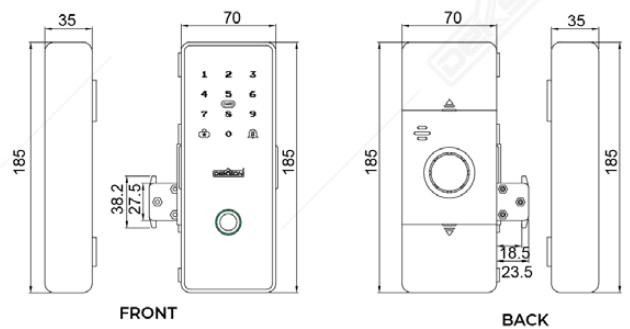


MOBILE APP  
DEON SMART LIVING (TUYA)  
Available on:  
🍏 🍎



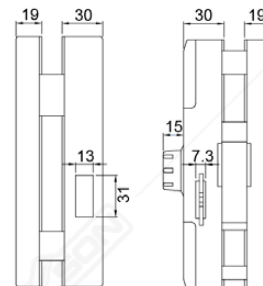
REMOTE CONTROL

### SPECIFICATIONS



FRONT

BACK



SIDE

### FEATURES



Battery Power  
AA Alkaline  
4 pcs



Door Bell



Anti Peeping Code



Voice Direction



Auto & Manual Locking System



Low Power Warning  
(Micro USB or USB Type C backup power)



Real Time Notification Records (Tuya)



Long Range Mobile Phone Lock System (tuya)



1 year ELECTRICAL WARRANTY

### CONVENIENCE AT YOUR HAND

Unlock from up to 10 meters using remote control (Sold Separately)



**SUITABLE for :**



**ALUMINIUM DOOR**

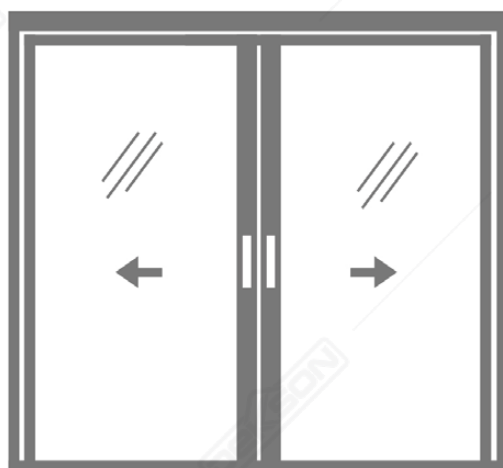


**WOODEN DOOR**

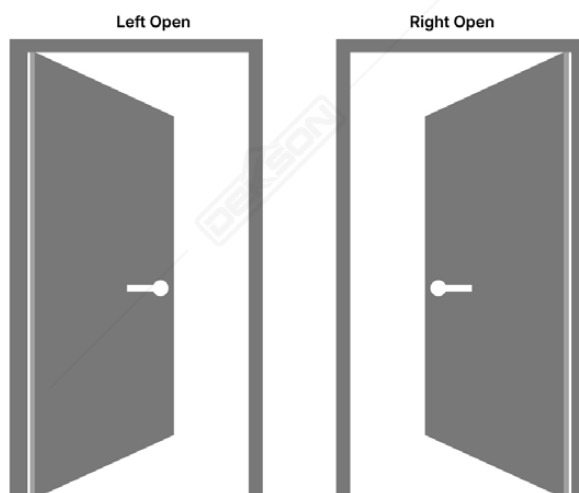


**GLASS DOOR**

**DOOR SYSTEM :**



**SLIDING DOOR**



**SWING DOOR**

# ELECTRONIC LOCK

**ELC 9318**  
MF PASS BT **RF09**



## ACCESS



3D FACE RECOGNITION



FINGERPRINT



PASSWORD

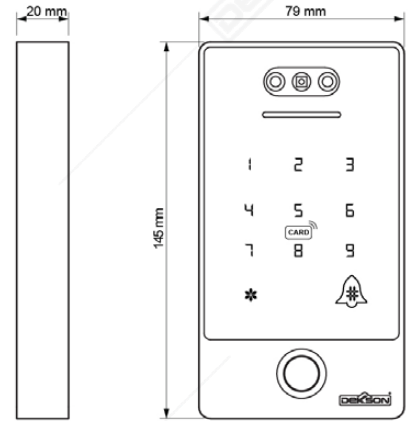


MIFARE



MOBILE APP TTLOCK  
Available on:  
Android, iOS

## SPECIFICATIONS



## FEATURES



Power Input  
12v DC



Door Bell



Access Sharing



Anti Peeping Code



Unlock History



Data Record



1 year  
ELECTRICAL  
WARRANTY

## ACCESSORIES



Push Exit Button



Magnetic Lock or Drop Bolt



Door Bell

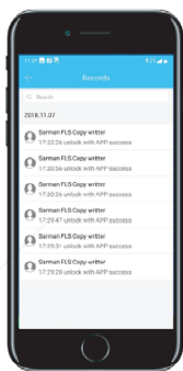


Power Supply 5A



Gateway  
WiFi - TTLock

## FEATURES



Data Record



Send e-Key



### ACCESS SHARING (Password & e-Key)

- **Generate Passcode**  
Generate unique password for guest.
- **Send e-Key**  
Share mobile app access directly to guest's smartphone.



### DATA RECORD

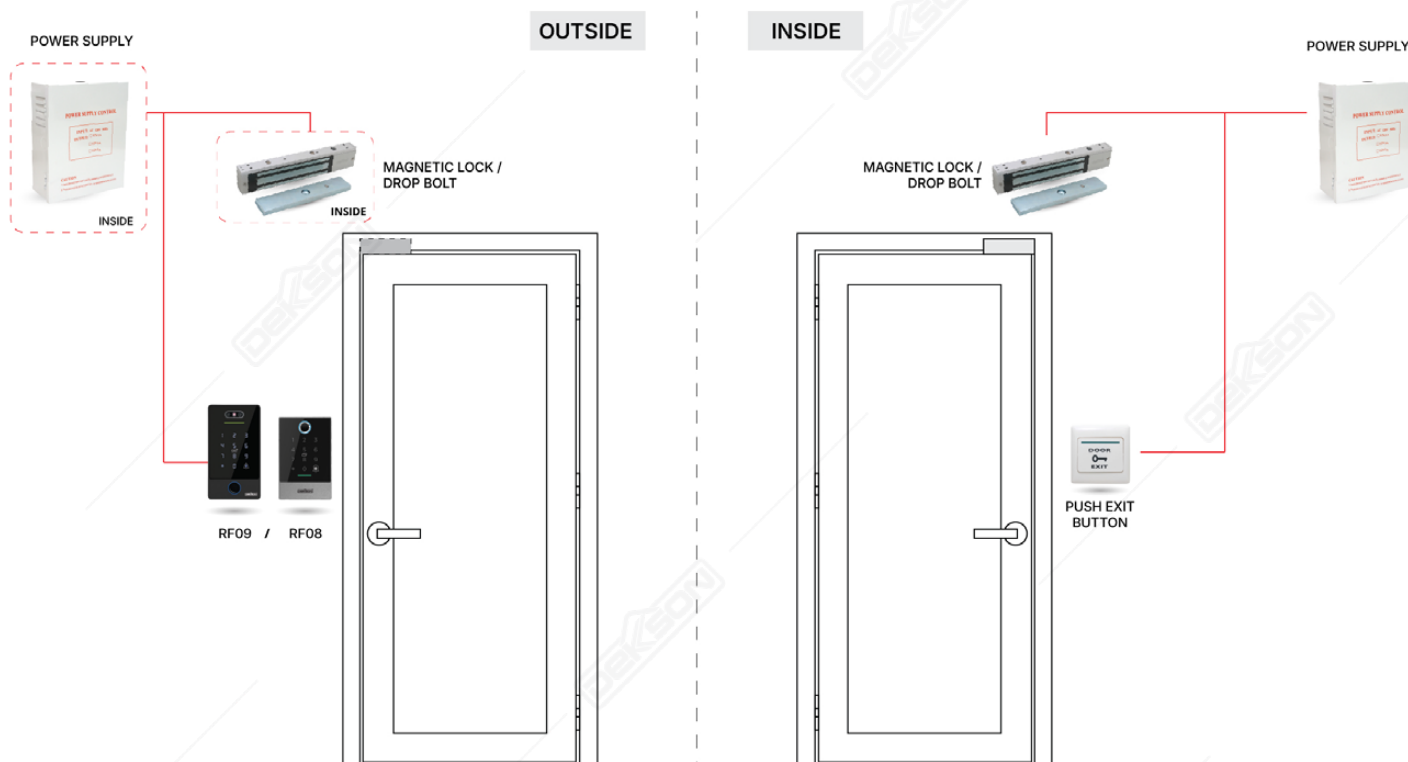
- **Access Record**  
All access is recorded by the apps.



### REMOTE ACCESS

- Open lock through smartphone from anywhere on earth.
- Lock setting can be managed remotely, without the need to even touch the lock.

## ACCESS CONTROL SYSTEM



### SUITABLE FOR :



Aluminium / Glass Door



Steel Door



Wooden Door

# CARD LOCK HOTEL

## CLH 2002 MF

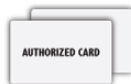


### ACCESSORIES



#### ENCODER READ / WRITE 2200 MF

State of the art auto-card detection technology. Ideal for use with multiple stations



#### AUTHORIZED CARD

Keycards registered to DEKSON software for Cardlock Hotel setup



#### CONTACTLESS CARD 2001 / 2201 MF

Durable contact-free Philips Mifare Technology. Also available as plastic key fob, wristwatch or epoxy sticker



#### RECORD / INFORMATION CARD 2001 / 2201 MF

Upload and download both lock and computer information data easily



#### CARD READER ACCESS CONTROL 2001 / 2200 MF

Limit the access right of users and increase the security level. Door access can be operated with one card



#### SOFTWARE

Easy to install. Compatible with Windows 2000 / 2003 / XP Pro / 7 / Vista / 8 / 10



#### ES SWITCH 2001 / 2201 MF

Energy saving switch all mifare. Compatible for CLH 2000 MF, 2200 MF & 2202 MF



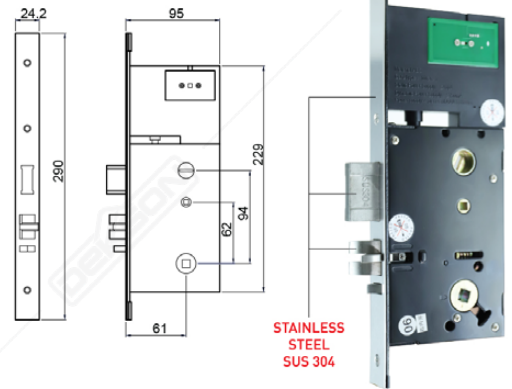
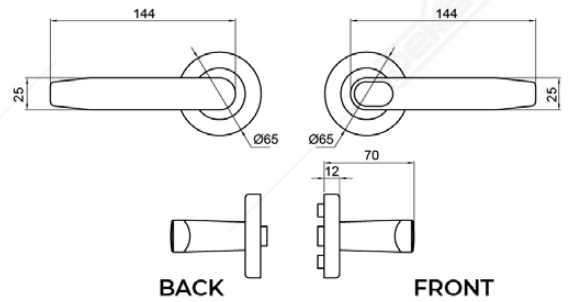
#### ES SWITCH 2001 / 2201 MF CORRECT ROOM



#### ELEVATOR READER 2001 / 2201 MF (FOR 16 FLOORS)

Mini external reader is available to support lift panel. Allow access card (mifare) to double as elevator access. Same management software with hotel lock. Allow up to 2000 entries record. (Available: For 32, 48, 64 FLOORS)

### SPECIFICATIONS





# CARD LOCK HOTEL

## CLH 2001 MF



Material : Stainless Steel SUS 304



### ACCESSORIES



#### ENCODER MF CARD READ WRITE PRO 2201/2001 MF

State of the art auto-card detection technology. Ideal for use with multiple stations



#### AUTHORIZED CARD

Keycards registered to DEKSON software for Cardlock Hotel setup



#### CONTACTLESS CARD 2001 / 2201 MF

Durable contact-free Philips Mifare Technology. Also available as plastic key fob, wristwatch or epoxy sticker



#### RECORD / INFORMATION CARD 2001 / 2201 MF

Upload and download both lock and computer information data easily



#### CARD READER ACCESS CONTROL 2001 / 2200 MF

Limit the access right of users and increase the security level. Door access can be operated with one card



#### SOFTWARE

Easy to install. Compatible with Windows 2000 / 2003 / XP Pro / 7 / Vista / 8 / 10



#### ES SWITCH 2001 / 2201 MF

Energy saving switch all mifare. Compatible for CLH 2000 MF, 2200 MF & 2202 MF



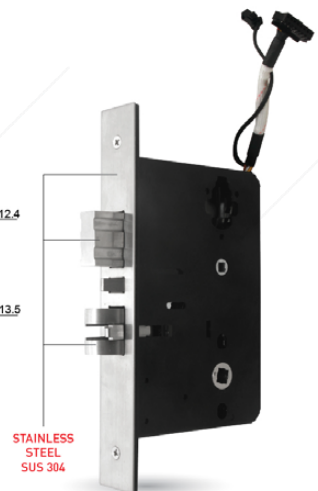
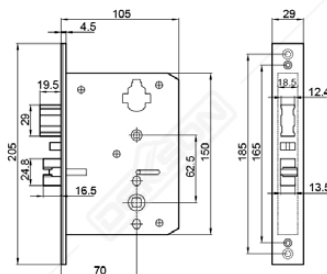
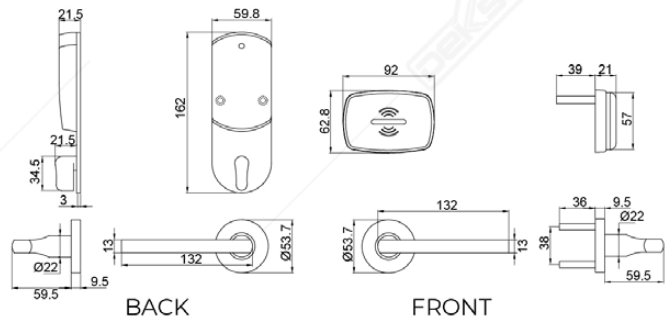
#### ES SWITCH 2001 / 2201 MF CORRECT ROOM



#### ELEVATOR READER 2001 / 2201 MF ( FOR 16 FLOORS )

Mini external reader is available to support lift panel. Allow access card (mifare) to double as elevator access. Same management software with hotel lock. Allow up to 2000 entries record. (Available: For 32, 48, 64 FLOORS)

### SPECIFICATIONS



STAINLESS STEEL SUS 304



# CARD LOCK HOTEL

## CLH 2202 MF



### ACCESSORIES



**ENCODER READ / WRITE 2200 MF**  
State of the art auto-card detection technology. Ideal for use with multiple stations



**AUTHORIZED CARD**  
Keycards registered to DEKSON software for Cardlock Hotel setup



**CONTACTLESS CARD 2001 / 2201 MF**  
Durable contact-free Philips Mifare Technology. Also available as plastic key fob, wristwatch or epoxy sticker



**RECORD / INFORMATION CARD 2001 / 2201 MF**  
Upload and download both lock and computer information data easily



**CARD READER ACCESS CONTROL 2001 / 2200 MF**  
Limit the access right of users and increase the security level. Door access can be operated with one card



**SOFTWARE**  
Easy to install. Compatible with Windows 2000 / 2003 / XP Pro / 7 / Vista / 8 / 10



**ES SWITCH 2001 / 2201 MF**  
Energy saving switch all mifare. Compatible for CLH 2000 MF, 2200 MF & 2202 MF

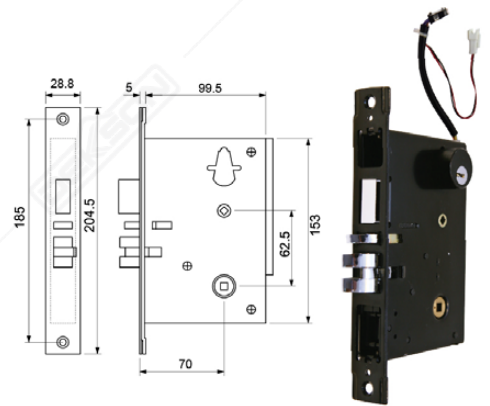
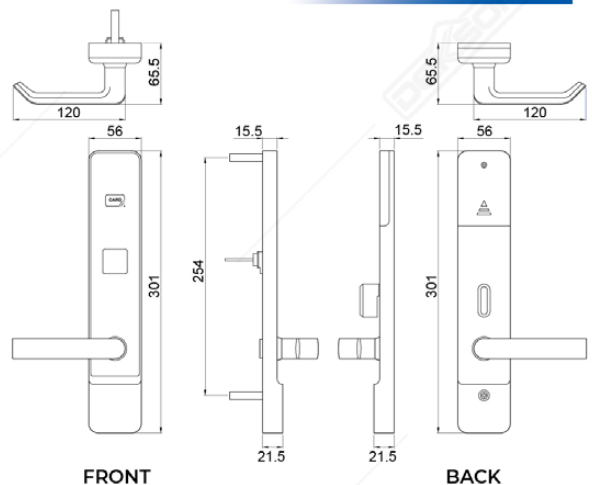


**ES SWITCH 2001 / 2201 MF CORRECT ROOM**



**ELEVATOR READER 2001 / 2201 MF (FOR 16 FLOORS)**  
Mini external reader is available to support lift panel. Allow access card (mifare) to double as elevator access. Same management software with hotel lock. Allow up to 2000 entries record. (Available: For 32, 48, 64 FLOORS)

### SPECIFICATIONS



**1 year ELECTRICAL WARRANTY**



# CARD LOCK HOTEL

## CLH 2201 MF



STAINLESS STEEL SUS 304

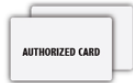


### ACCESSORIES



#### ENCODER MF CARD READ WRITE PRO 2201/2001 MF

State of the art auto-card detection technology. Ideal for use with multiple stations



#### AUTHORIZED CARD

Keycards registered to DEKSON software for Cardlock Hotel setup



#### CONTACTLESS CARD 2001 / 2201 MF

Durable contact-free Philips Mifare Technology. Also available as plastic key fob, wristwatch or epoxy sticker



#### RECORD / INFORMATION CARD 2001 / 2201 MF

Upload and download both lock and computer information data easily



#### CARD READER ACCESS CONTROL 2001 / 2200 MF

Limit the access right of users and increase the security level. Door access can be operated with one card



#### SOFTWARE

Easy to install. Compatible with Windows 2000 / 2003 / XP Pro / 7 / Vista / 8 / 10



#### ES SWITCH 2001 / 2201 MF

Energy saving switch all mifare. Compatible for CLH 2000 MF, 2200 MF & 2202 MF



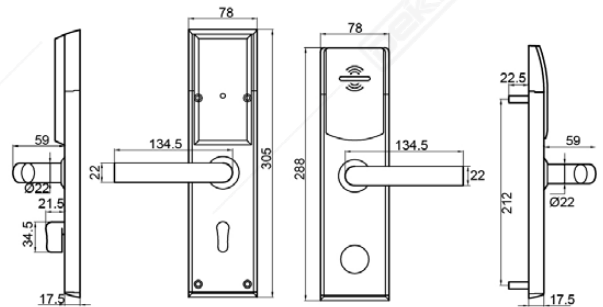
#### ES SWITCH 2001 / 2201 MF CORRECT ROOM



#### ELEVATOR READER 2001 / 2201 MF ( FOR 16 FLOORS )

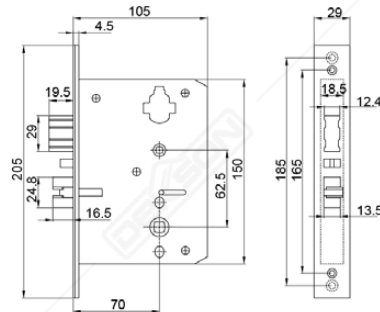
Mini external reader is available to support lift panel. Allow access card (mifare) to double as elevator access. Same management software with hotel lock. Allow up to 2000 entries record. (Available: For 32, 48, 64 FLOORS)

### SPECIFICATIONS

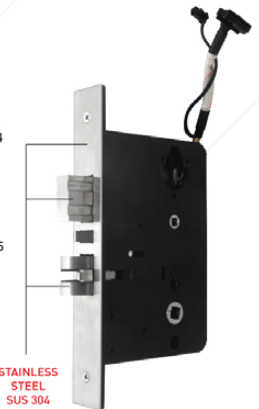


BACK

FRONT



STAINLESS STEEL SUS 304



1 year ELECTRICAL WARRANTY

# OTHER ACCESSORIES



**ES SWITCH 808 NEW**  
For all card type.  
RFID / NON RFID



**ES SWITCH 809 NEW**  
For all proximity card.  
RFID 125 KHZ



**ES SWITCH 2201 / 2001 MF**  
For all mifare card 13,56 MHz



**ES SWITCH 2201 / 2001 MF CORRECT ROOM**  
For all mifare card 13,56 MHz  
Available color : White



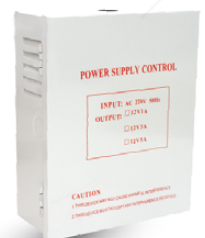
**OPEN DOOR SWITCH**



**POWER SUPPLY DC 12V 3A NO/NC**

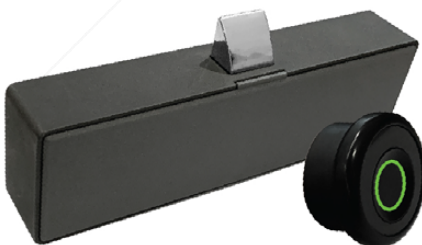


**DB 3 IN 1**  
Door Bell Switch  
with "Don't Disturb & Make Up Room"



**POWER SUPPLY 5A**

## CABINET LOCK



**ELECTRONIC DRAWER LOCK EDL 03**



## SAFETY BOX SB 420

**DIMENSION :**  
420 (L)x 190 (H) x 300 (W)

**FEATURES :**

- LED Display
- Full Automatic
- Hidden Password Function
- Three ways to open :
  - 1) User password (3-6 digits)
  - 2) Hotel Master Password
  - 3) Unlock via Key



**ELECTRONIC CABINET LOCK ECL 808 MF CP**



**ELECTRONIC CABINET LOCK ECL 838 MF CP**

## ELECTRONIC LOCK DOOR SWING DIRECTION



**WRISTBAND MF (OPTIONAL)**



**CONTACTLESS CARD MF**



# PROJECT REFERENCES



HERLOOM HOTEL & RESIDENCE BSD – TANGERANG



FOX HARRIS – BANJARNEGARA



CLUSTER ATHERTON – KOTA WISATA CIBUBUR



SWISS BELLIN – BOGOR



PASADENA GRAND RESIDENCE – GADING SERPONG



VOCO BY IHG – BANDUNG SETIABUDI

and many other project references



AVAILABLE AT :

